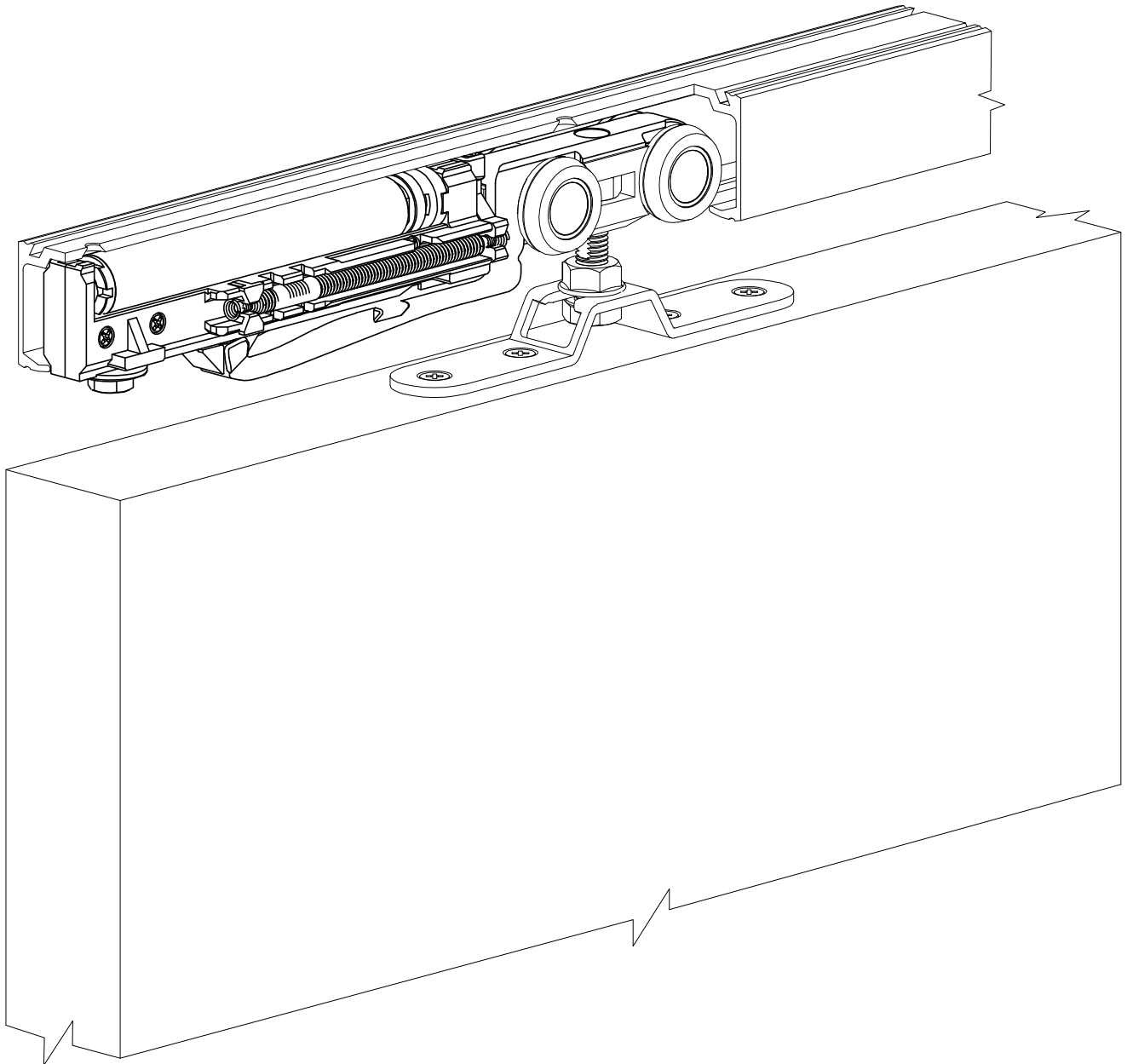
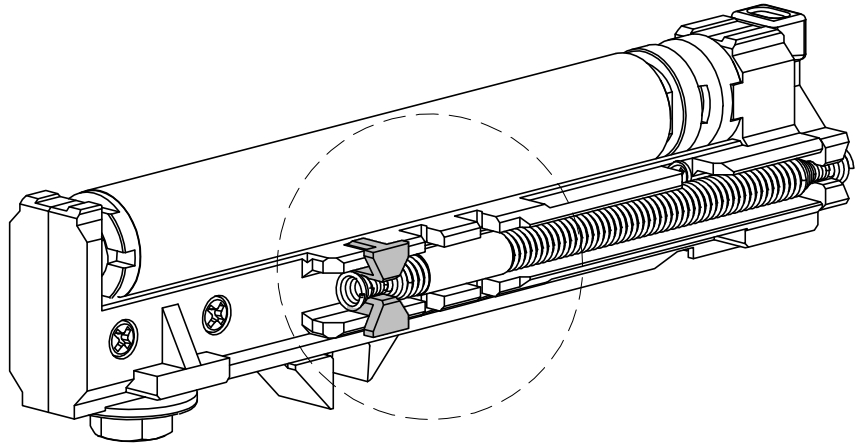


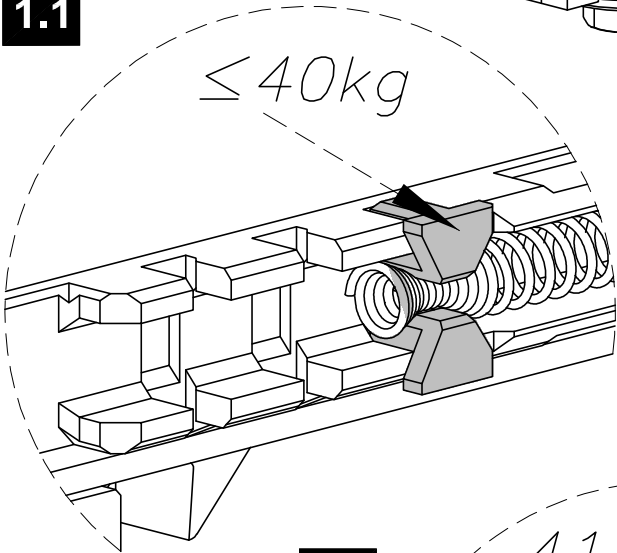
1
x1



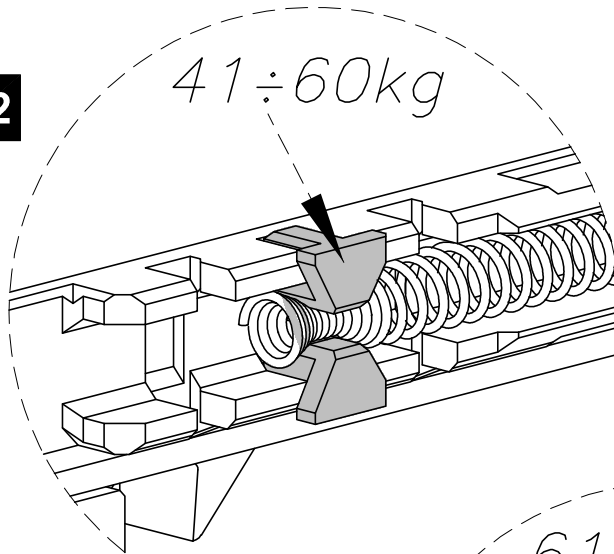
1



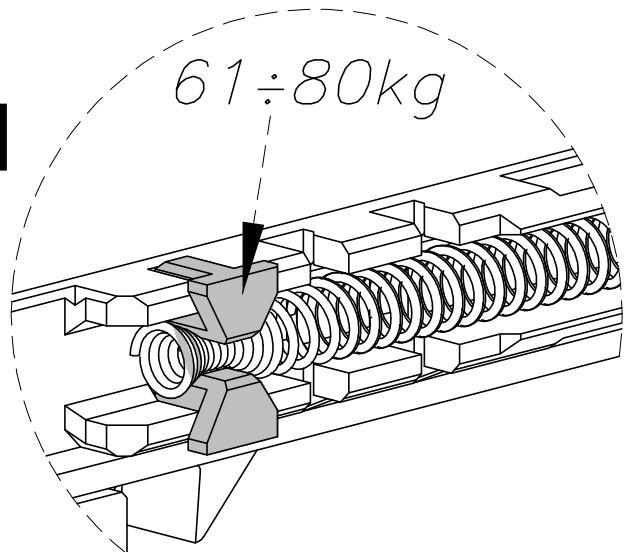
1.1



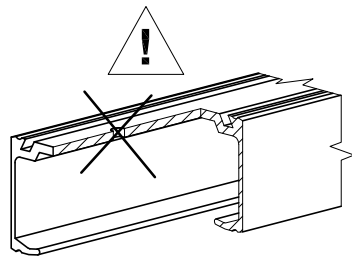
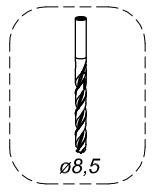
1.2



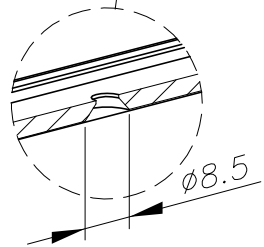
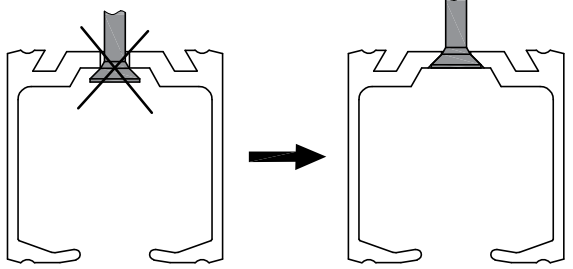
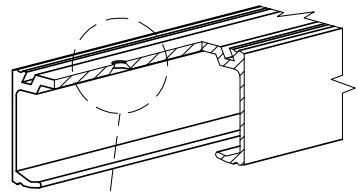
1.3



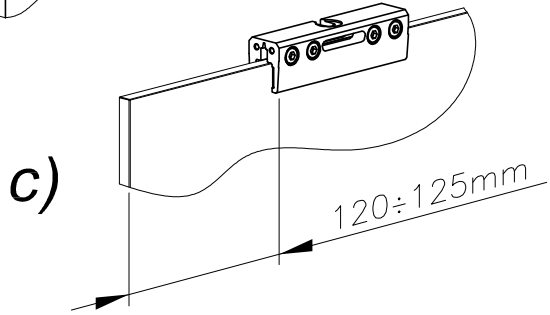
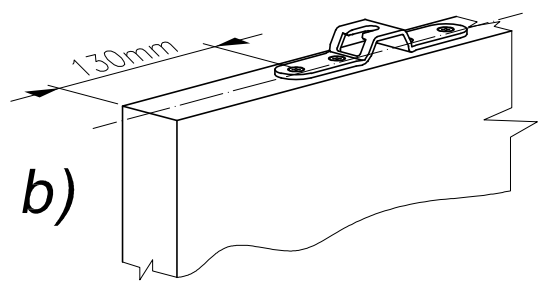
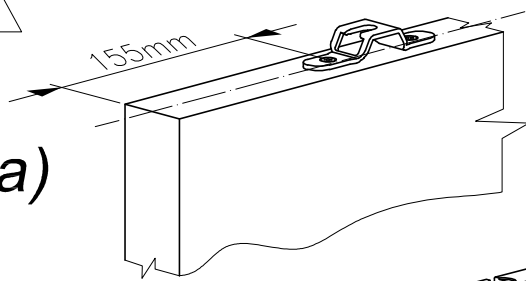
2



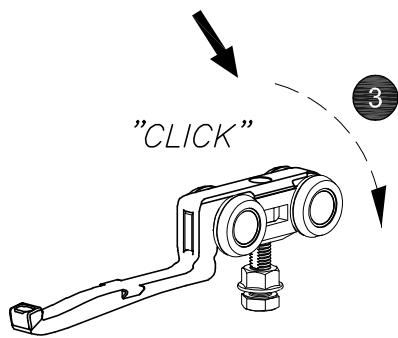
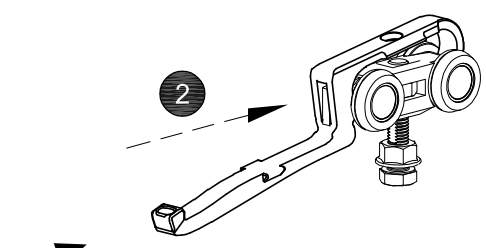
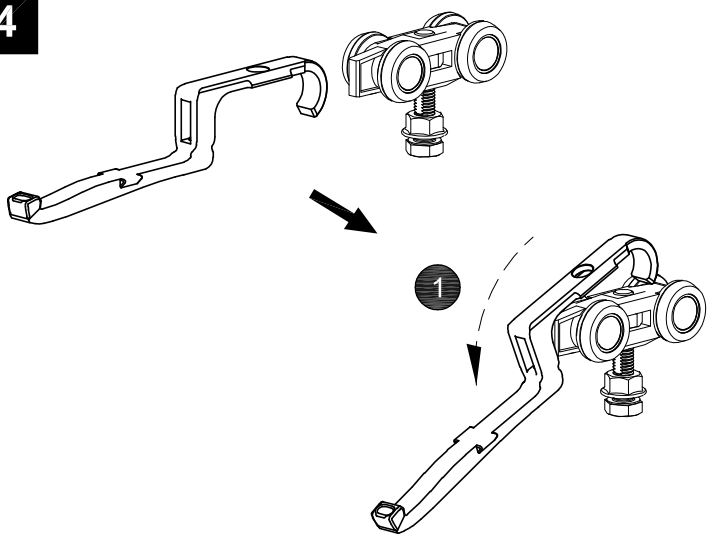
xn



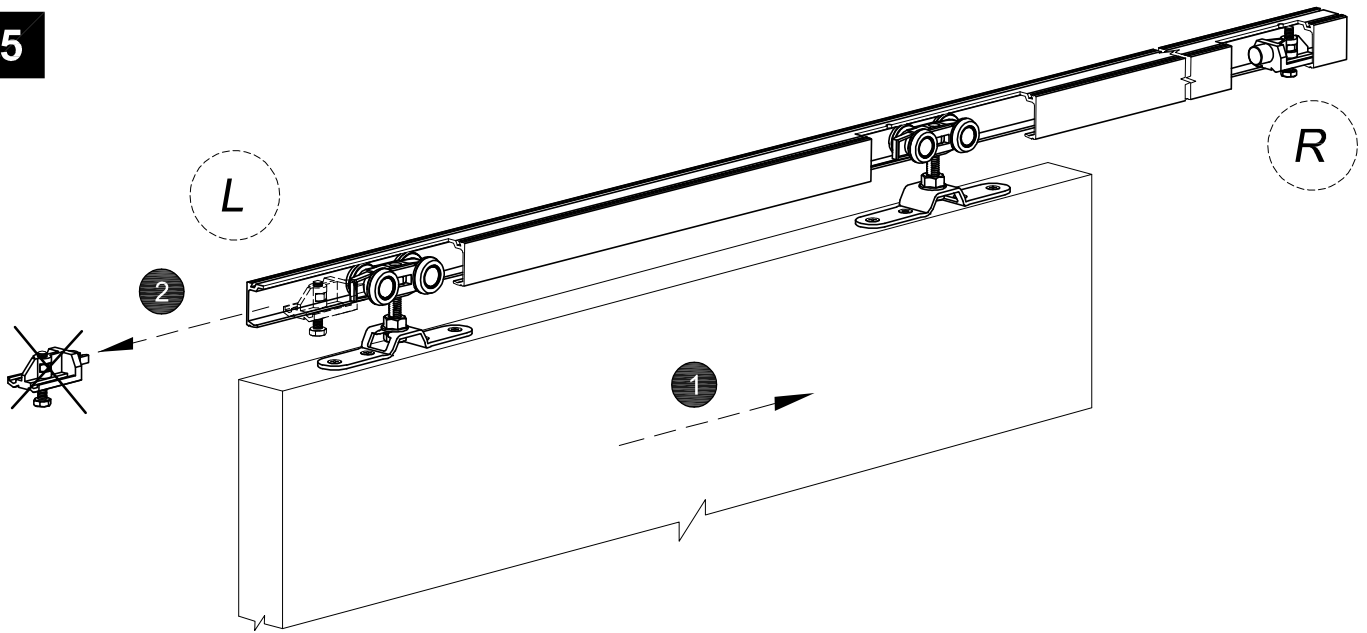
3



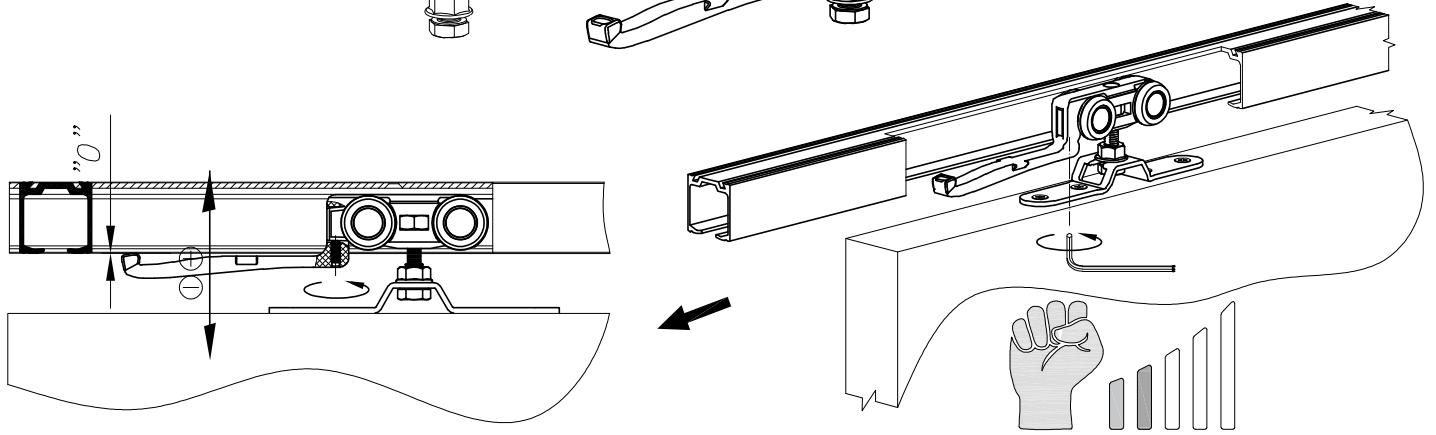
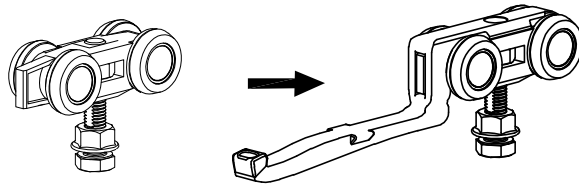
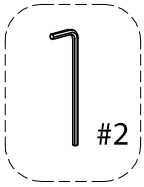
4



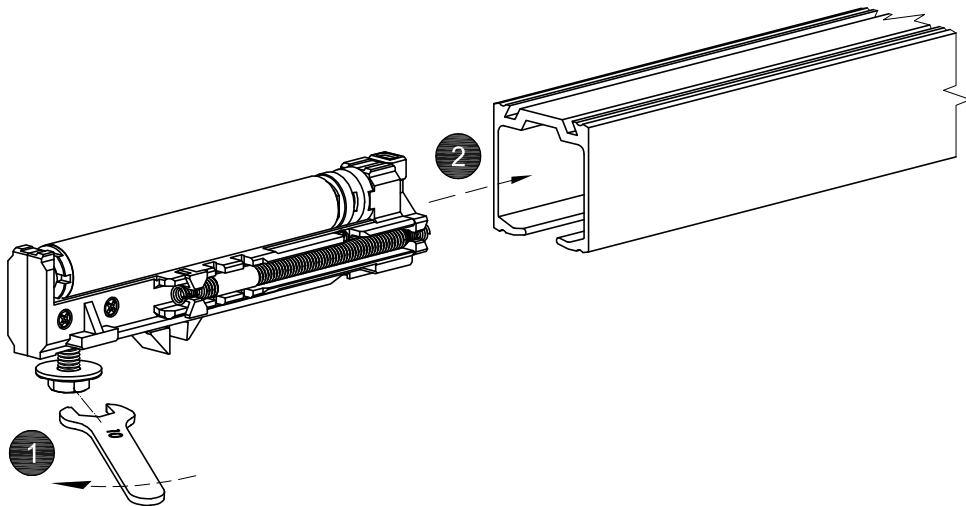
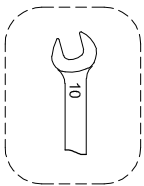
5



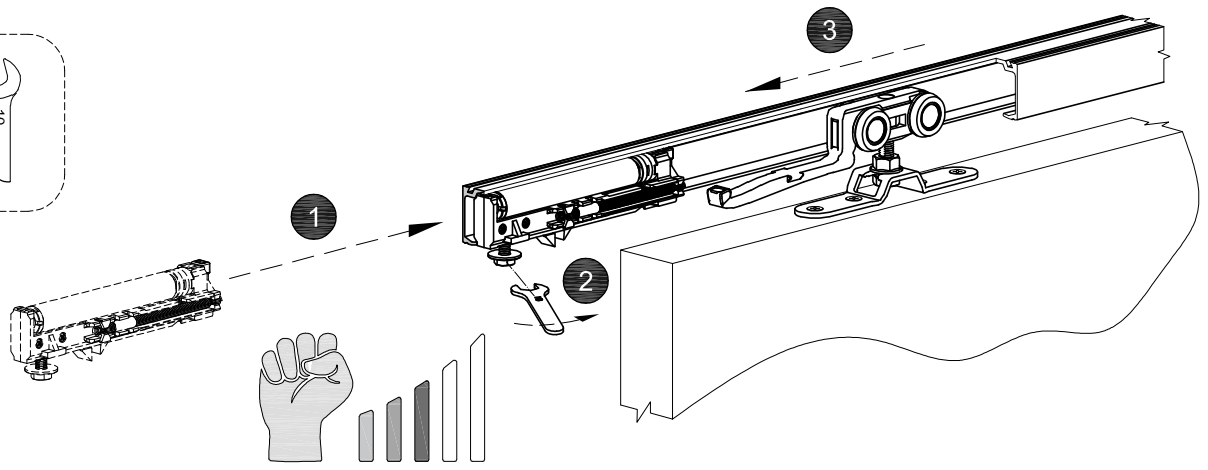
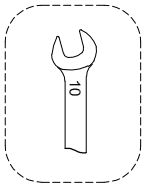
6



7



8



9

